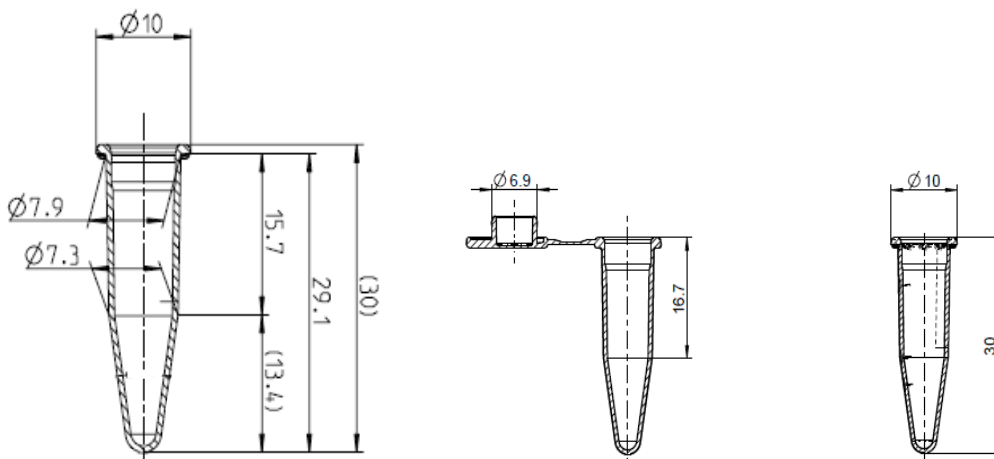


Technical Drawing

Microtube Tube EasyFit 0.5 ml

Order number 96.04625.9.01

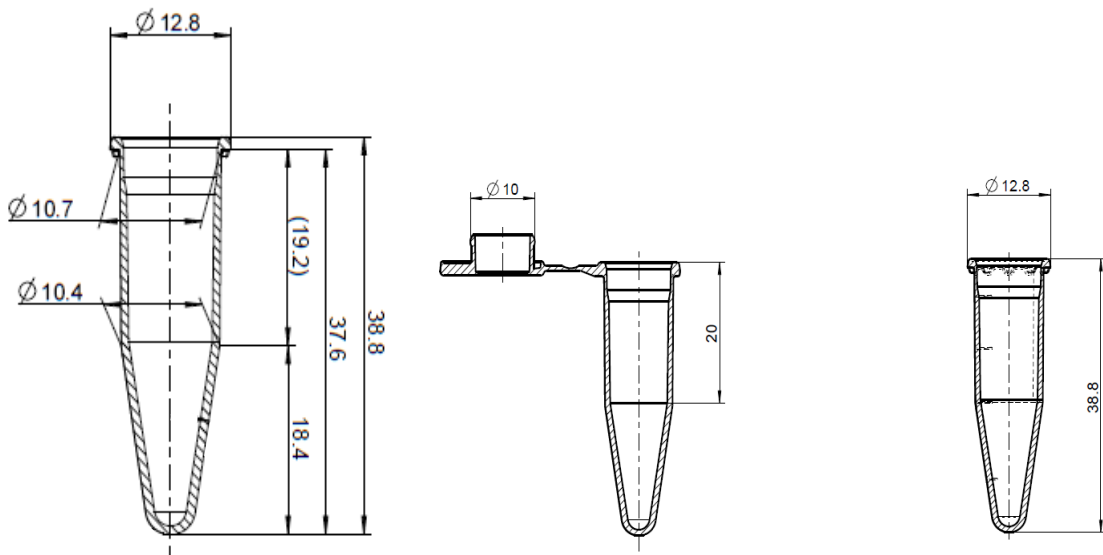


Dimensions : Millimeters

Technical Drawing

Microtube EasyFit 1.5 ml

Order number 96.07246.9.01

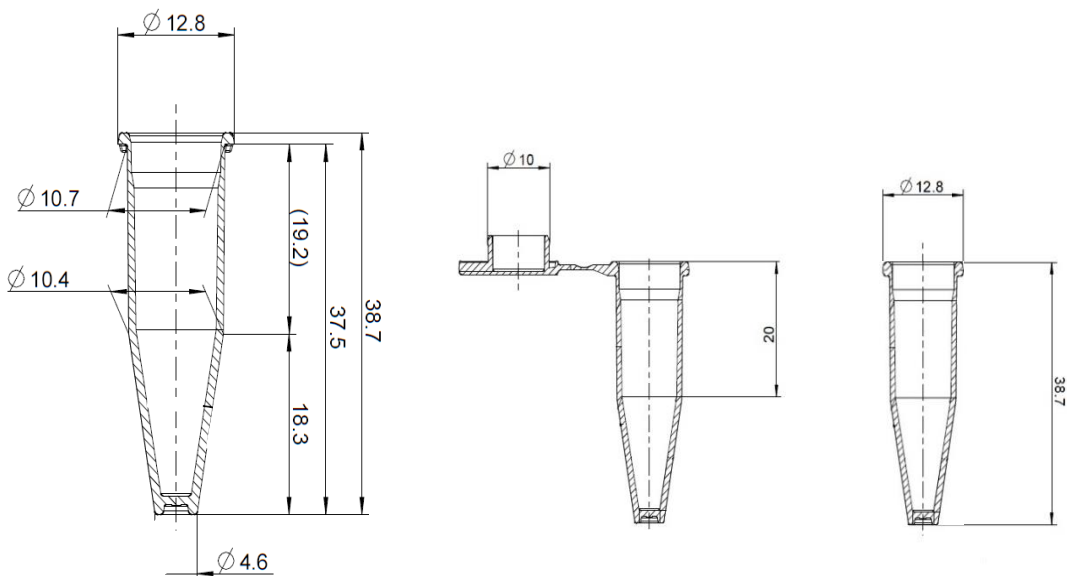


Dimensions : Millimeters

Technical Drawing

Microtube EasyFit 1.5 ml., FB

Order number 96.10234.9.01, flat bottom

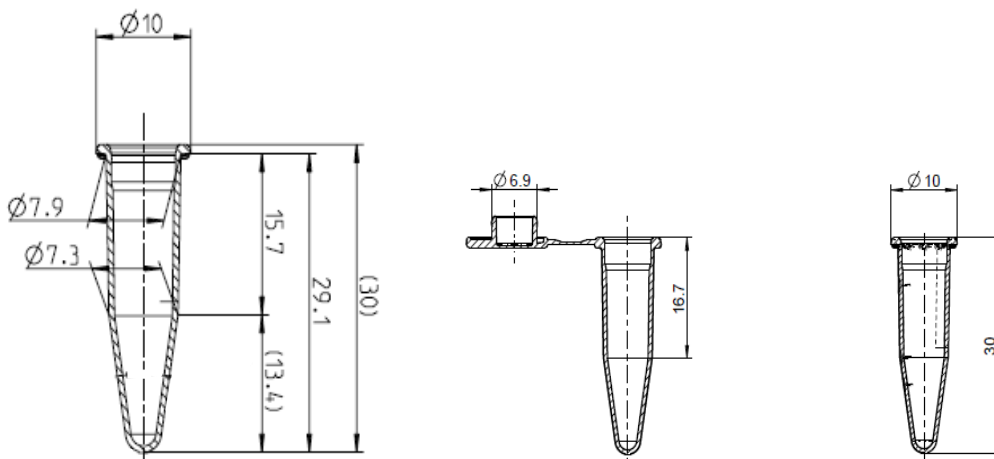


Dimensions : Millimeters

Technical Drawing

Microtube ClickFit 0.5 ml, HT

Order number 96.08185.9.03, high transparent

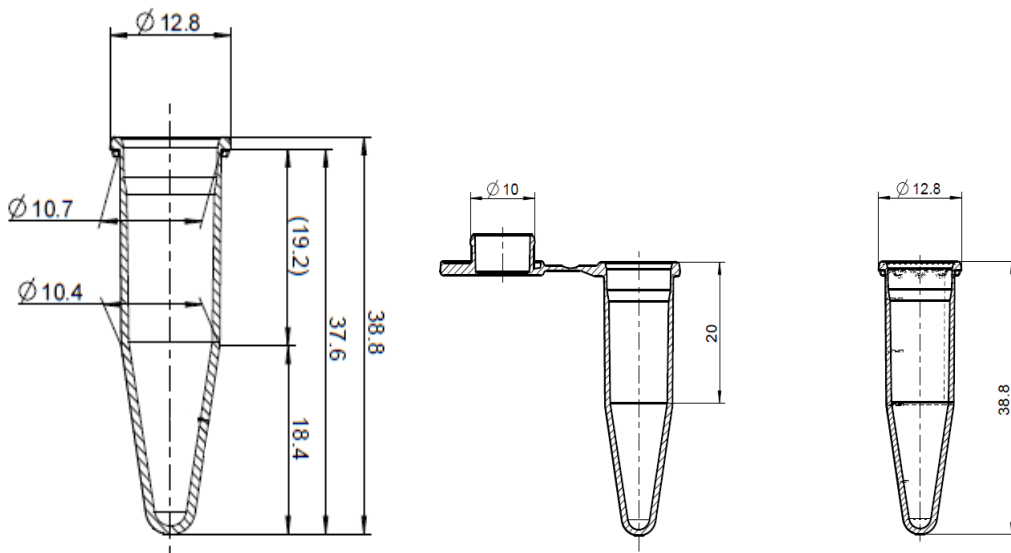


Dimensions : Millimeters

Technical Drawing

Microtube ClickFit 1.5 ml

Order number 96.07514.9.01

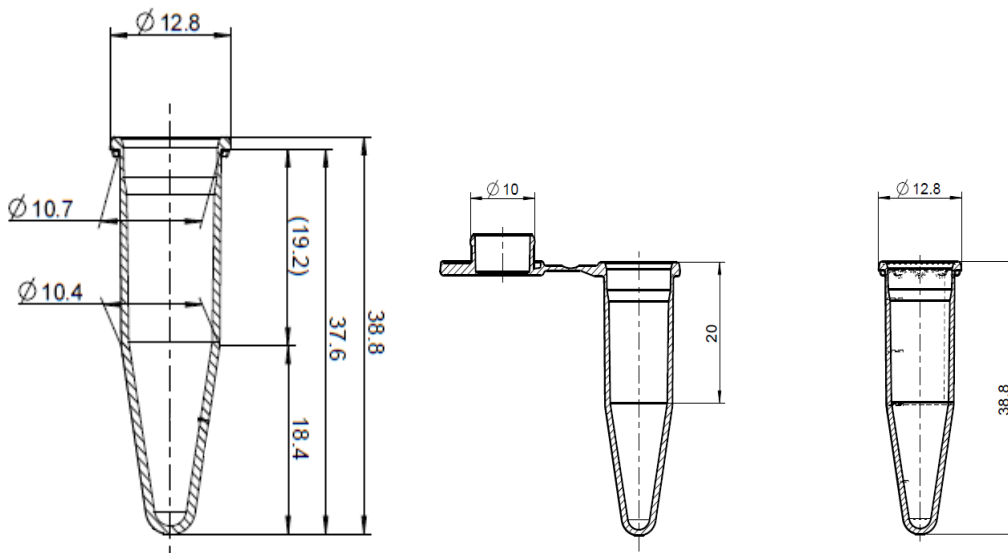


Dimensions : Millimeters

Technical Drawing

Microtube ClickFit 1.5 ml, HT

Order number 96.07811.9.03, high transparent

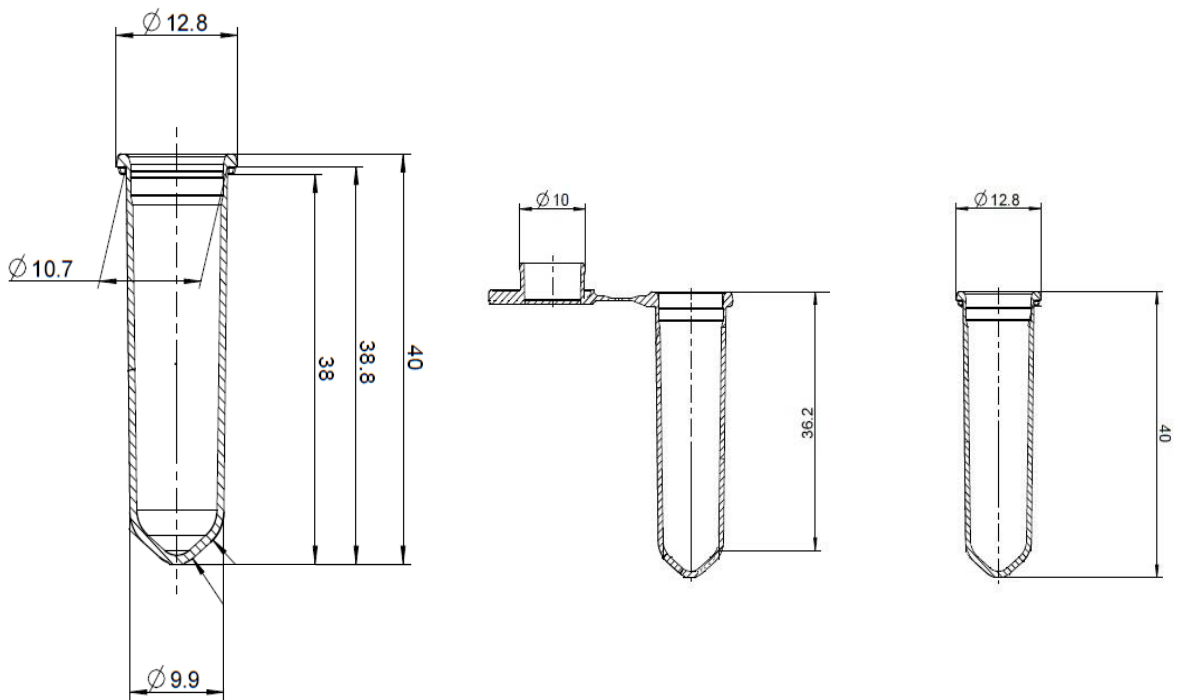


Dimensions : Millimeters

Technical Drawing

Microtube ClickFit 2.0 ml

Order number 96.09329.9.01

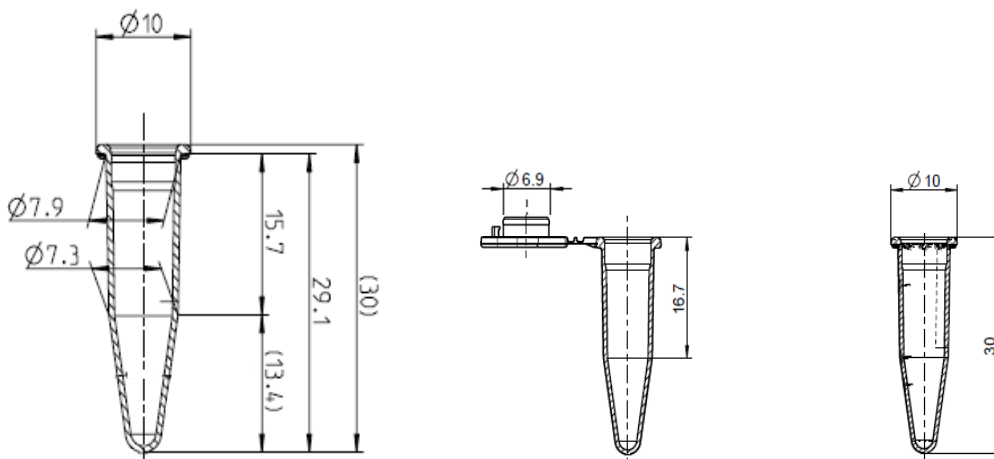


Dimensions : Millimeters

Technical Drawing

Microtube CapLock 0.5 ml

Order number 96.10833.9.01

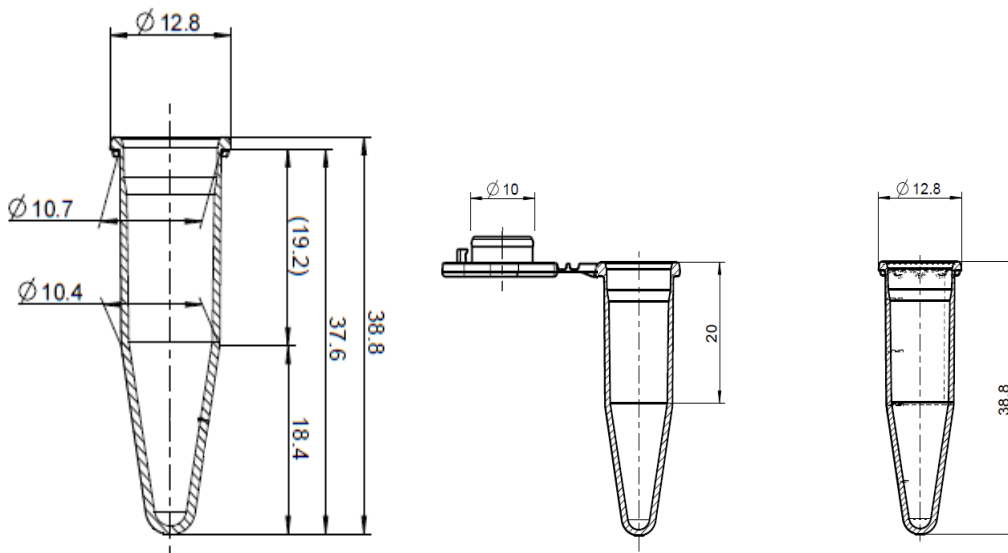


Dimensions : Millimeters

Technical Drawing

Microtube CapLock 1.5 ml

Order number 96.08668.9.01

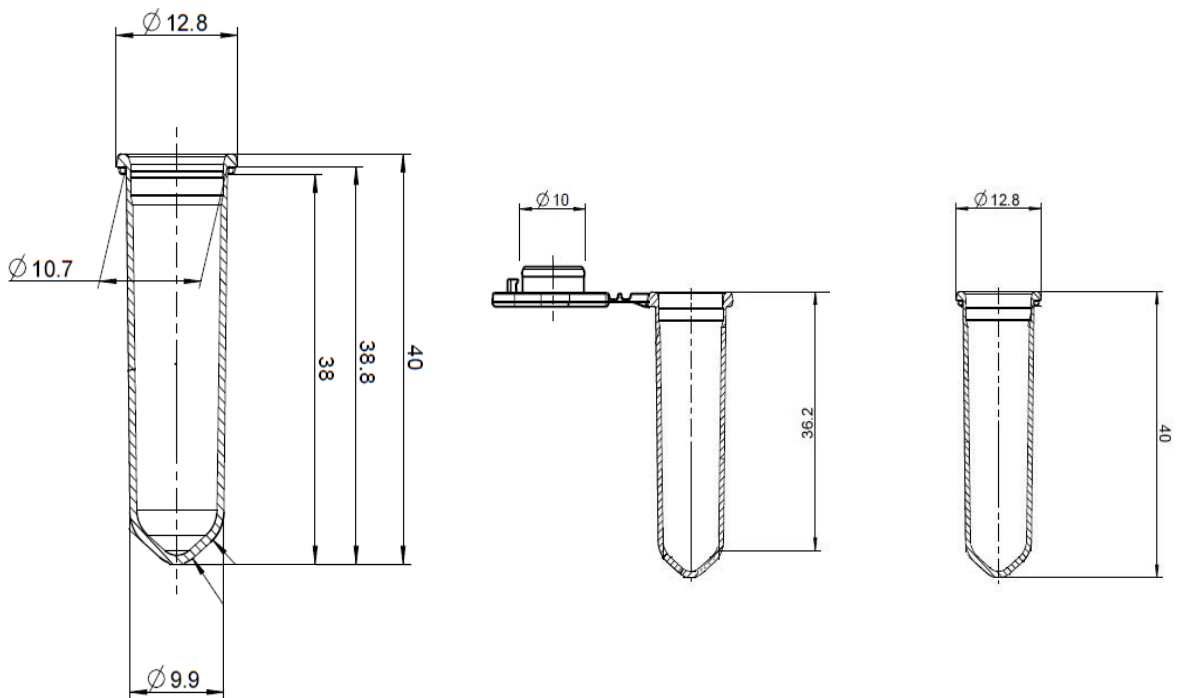


Dimensions : Millimeters

Technical Drawing

Microtube CapLock 2.0 ml

Order number 96.10834.9.01

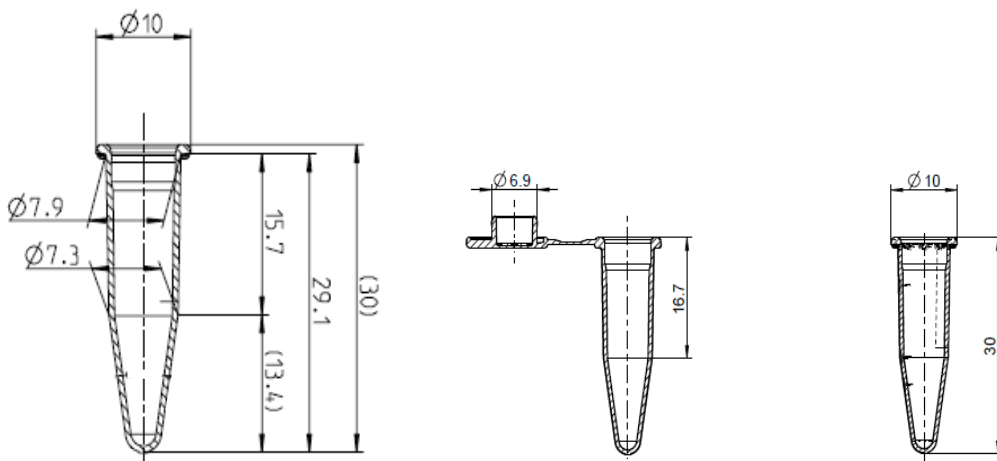


Dimensions : Millimeters

Technical Drawing

LightBlock™ Tube 0.5 ml

Order number 96.07456.0.01, black

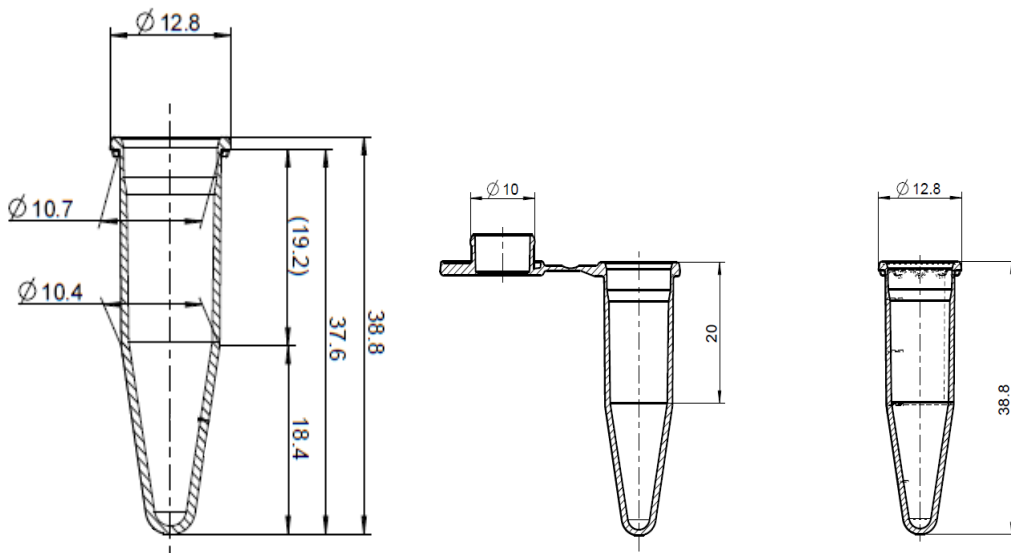


Dimensions : Millimeters

Technical Drawing

LightBlock™ Tube 1.5 ml

Order number 96.07514.0.21, black

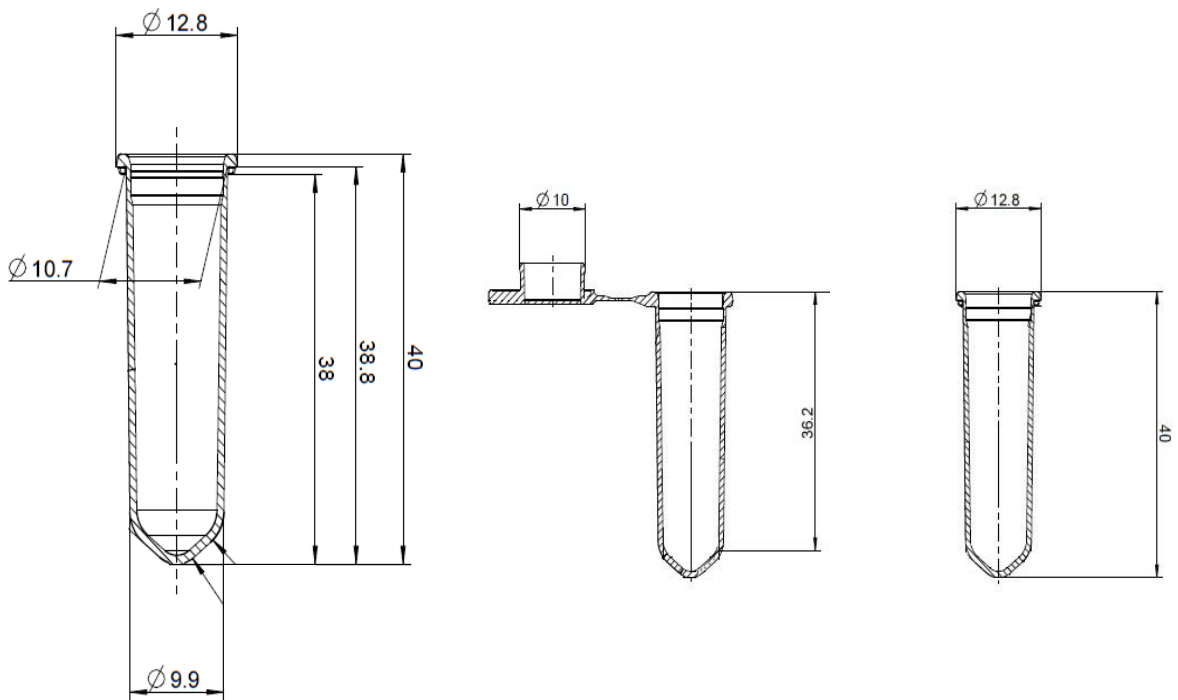


Dimensions : Millimeters

Technical Drawing

LightBlock™ Tube 2.0 ml

Order number 96.09329.0.01, black



Dimensions : Millimeters